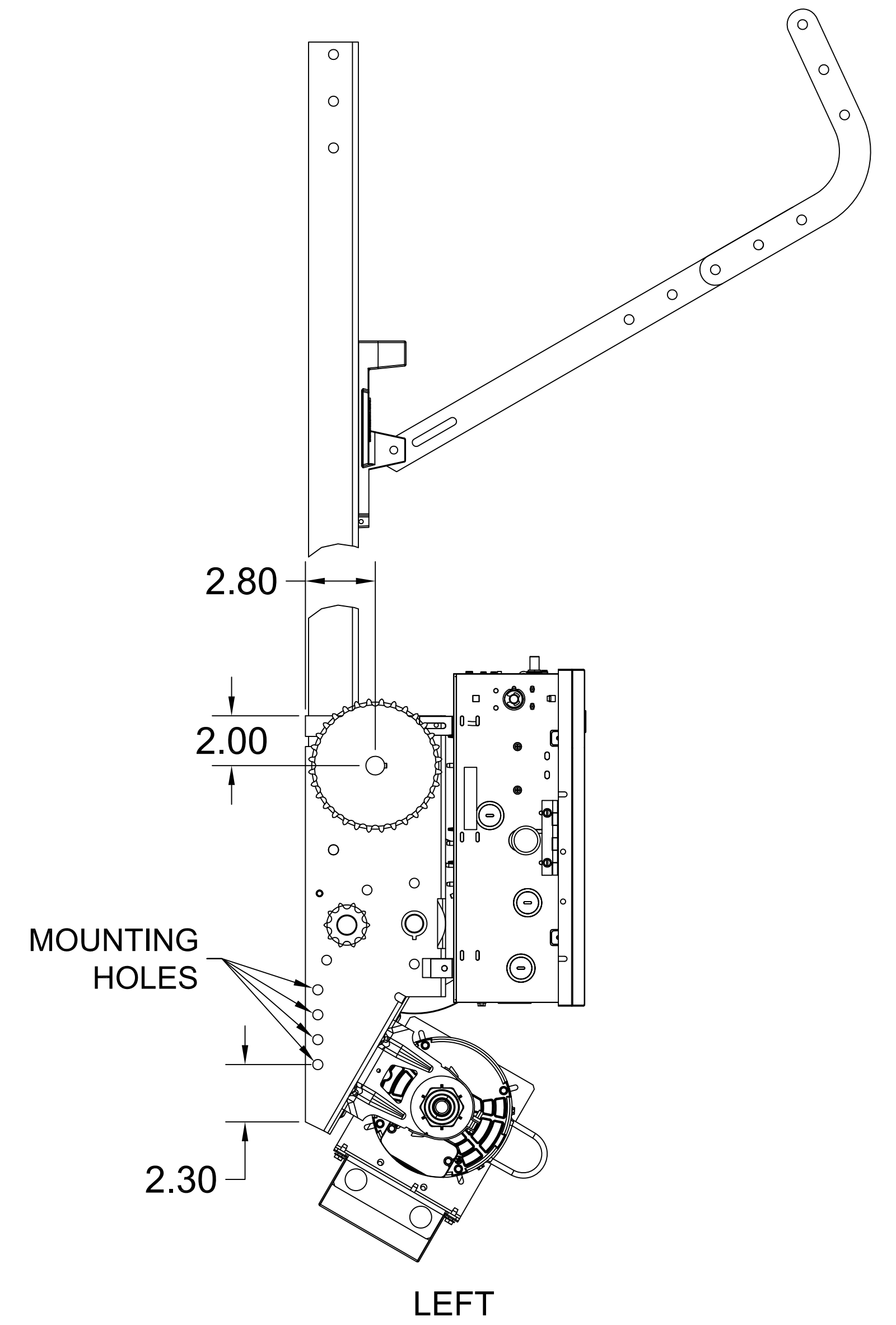
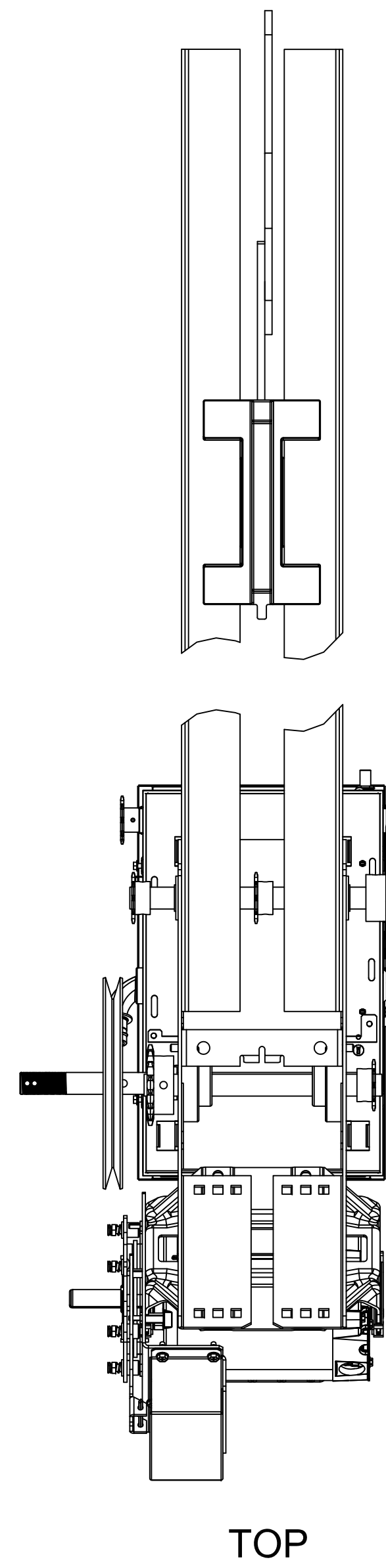
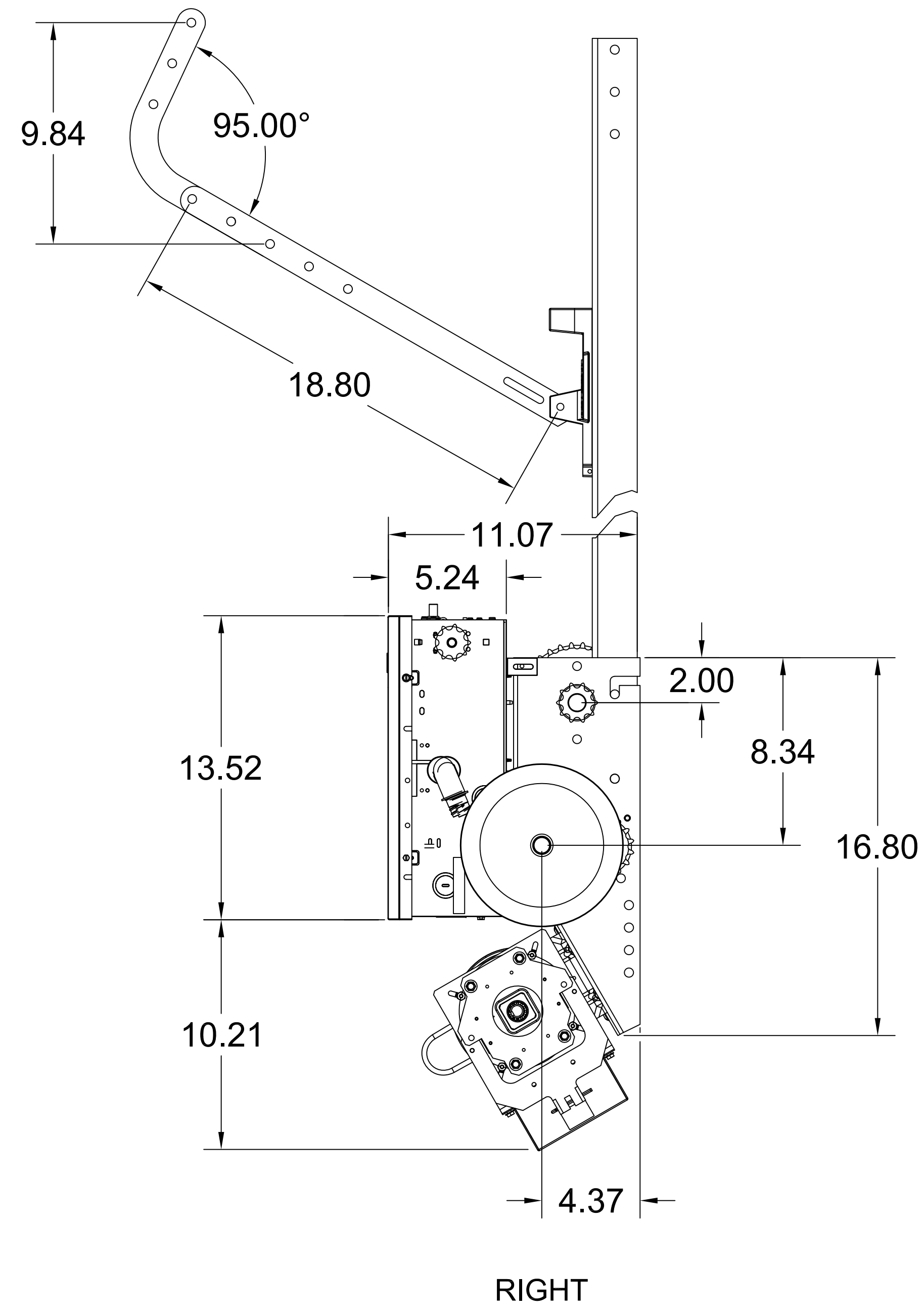
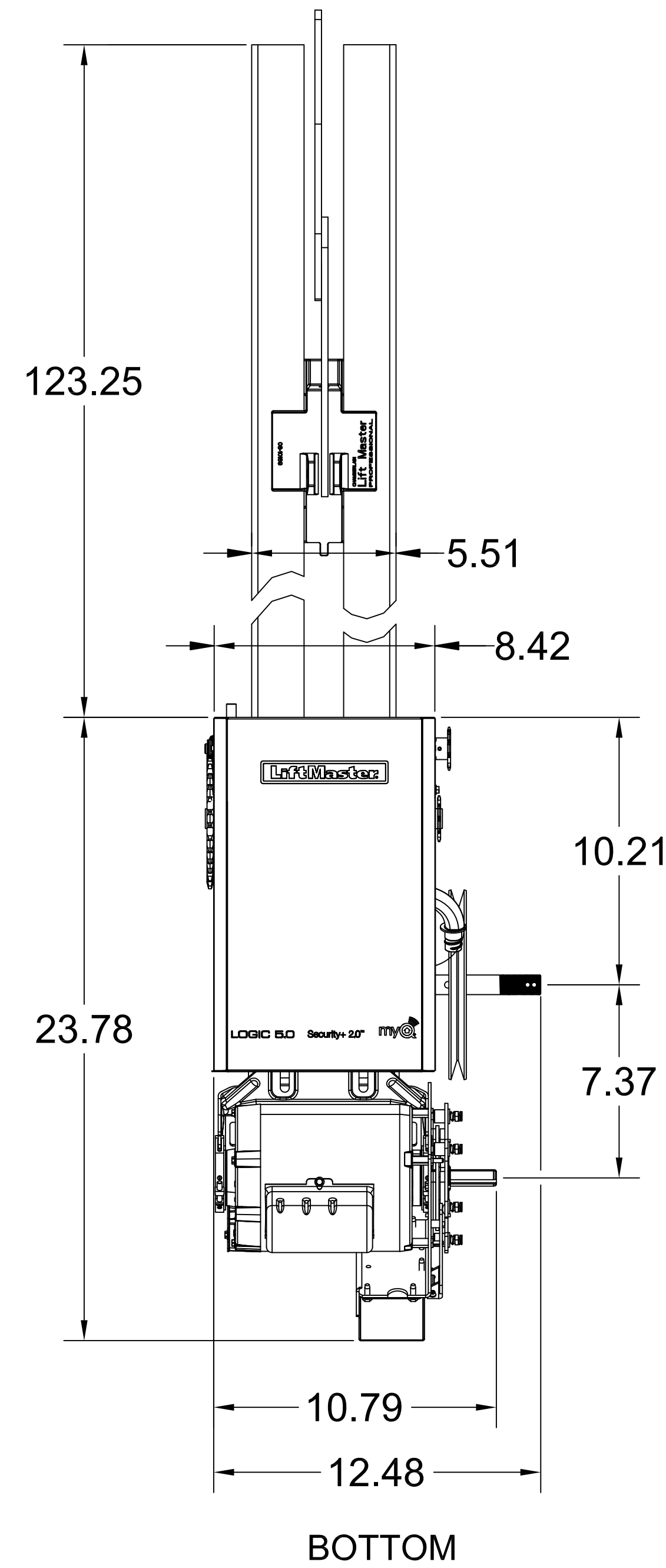


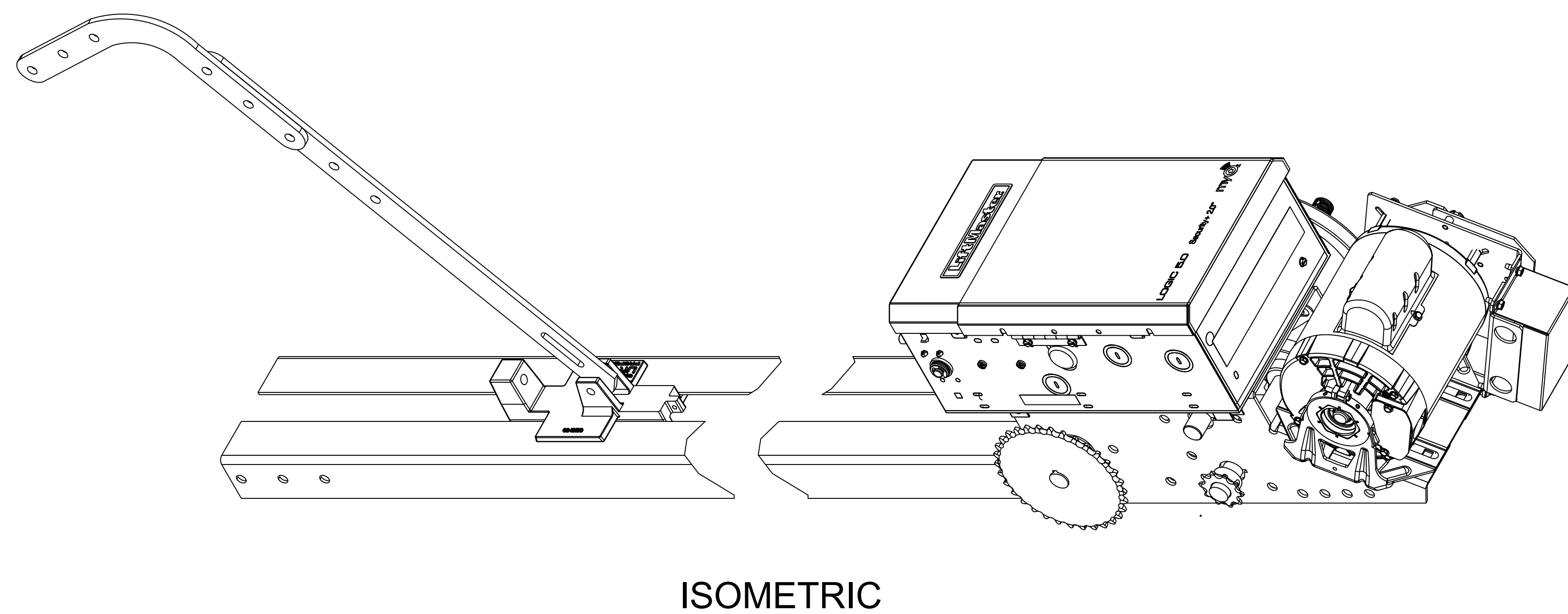
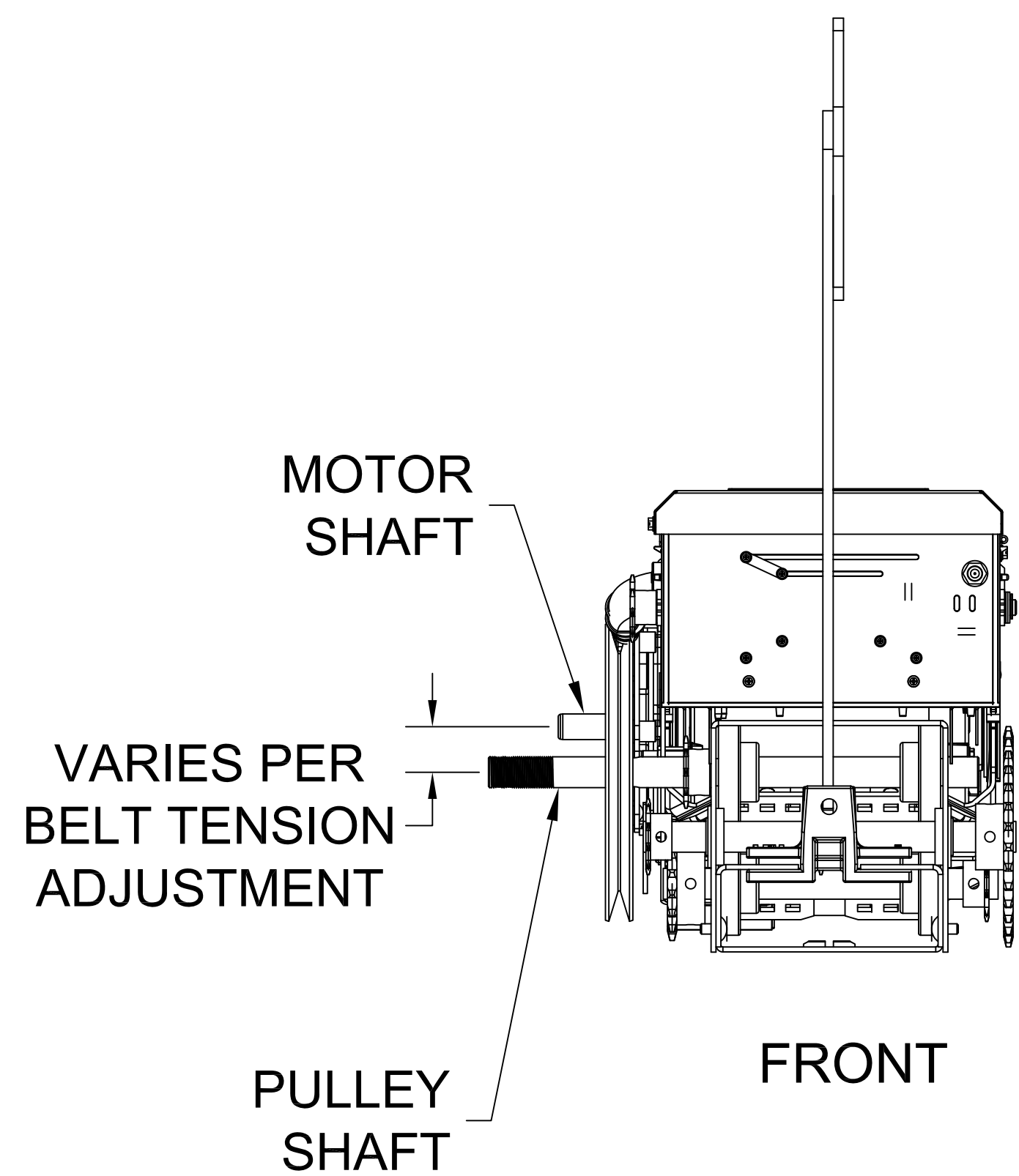
NOTE:

1. AVAILABLE TRACKS ACCOMMODATE DOORS 7-19 FEET IN HEIGHT



(APT) LOGIC 5 OPERATOR

		300 WINDSOR DR. OAK BROOK, IL 60523 PHONE: (630) 418-6516 FAX: (630) 516-7059
DRW. BY: B. MOFFETT	REVISION:	SHEET NO: <b>1/2</b>
DATE: 09/06/2018	SCALE: NTS	
TITLE: LIFTMASTER (APT) OPERATOR UNIT		
CAD FILE: -		



		300 WINDSOR DR. OAK BROOK, IL 60523 PHONE: (630) 418-6516 FAX: (630) 516-7059
DRW. BY: B. MOFFETT	REVISION:	SHEET NO:
DATE: 09/06/2018	SCALE: NTS	
TITLE: LIFTMASTER (APT) OPERATOR UNIT		
CAD FILE: -		<h1>2/2</h1>