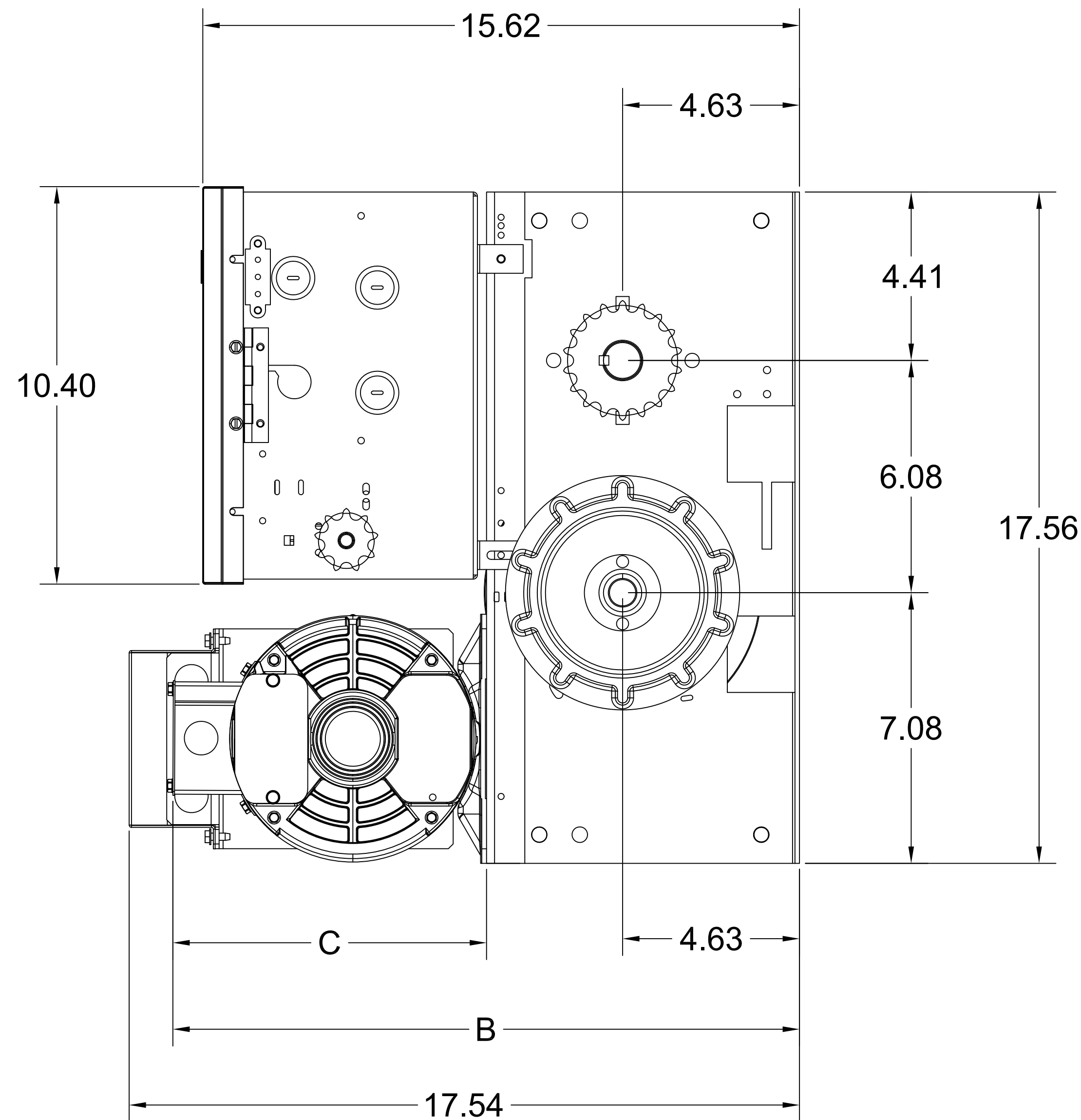


FRONT



RIGHT

(H) LOGIC 5 OPERATOR

OPERATOR DIMENSION TABLE

HP	PHASE	DIMENSIONS		
		A	B	C
1/2	1	10-3/4"	16-13/32"	8-7/32"
3/4	1	11-9/32"	16-11/32"	8-5/32"
1	1	11-29/32"	17-1/16"	8-7/8"
1/2	3	11-5/16"	16-7/16"	8-3/16"
3/4	3	11-5/16"	16-13/32"	8-3/16"
1	3	11-5/16"	16-13/32"	8-3/16"
-	-	-	-	-
-	-	-	-	-
-	-	-	-	-

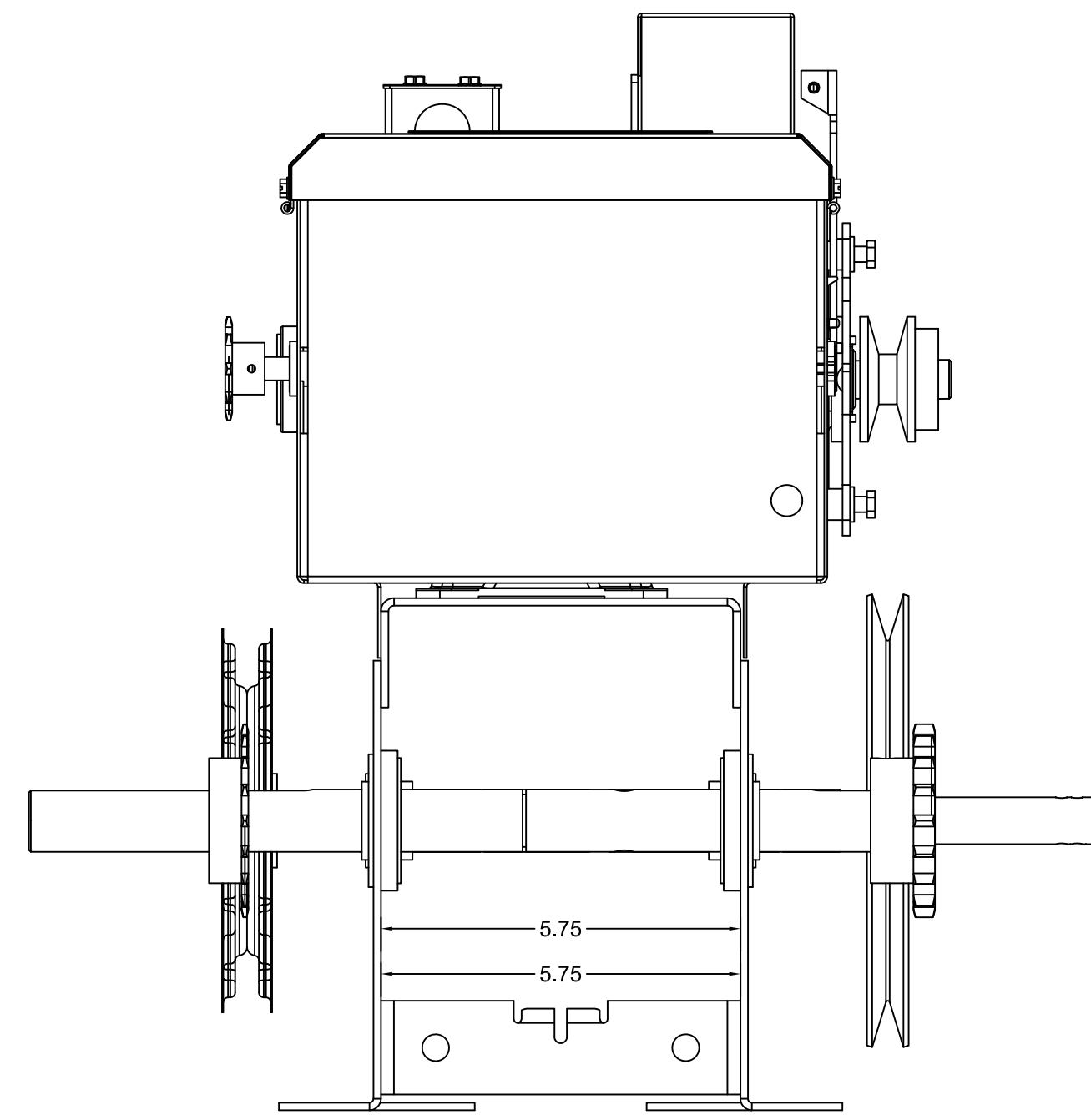
NOTE: DIMENSIONS A,B & C MAY VARY PER MOTOR MANUFACTURER SPECIFICATION REVISIONS AND SPECIAL MODIFICATIONS TO THE OPERATOR.

LiftMaster
 LIFTMASTER (CHAMBERLAIN GROUP, INC.)
 ENGINEERED SERVICES

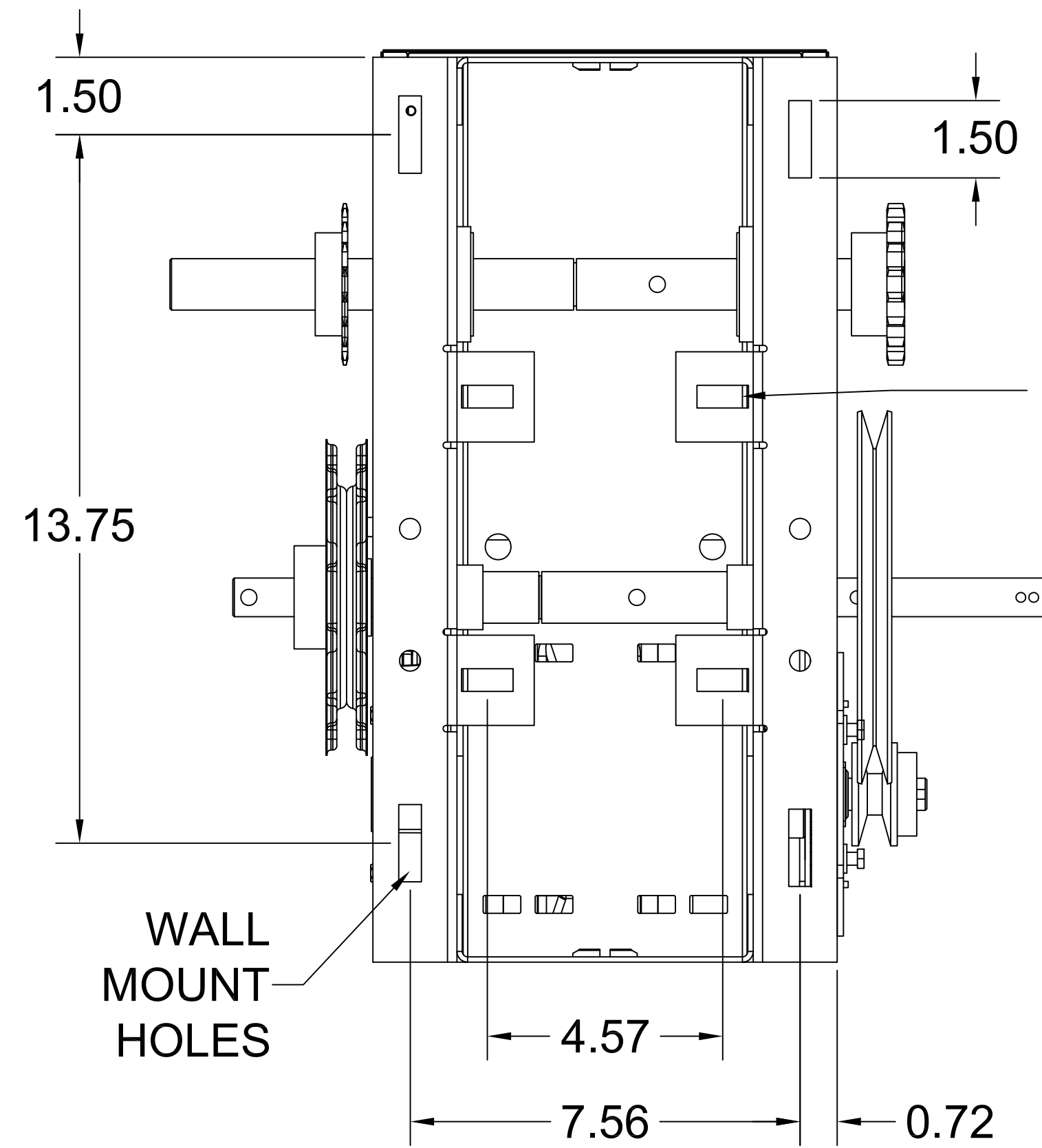
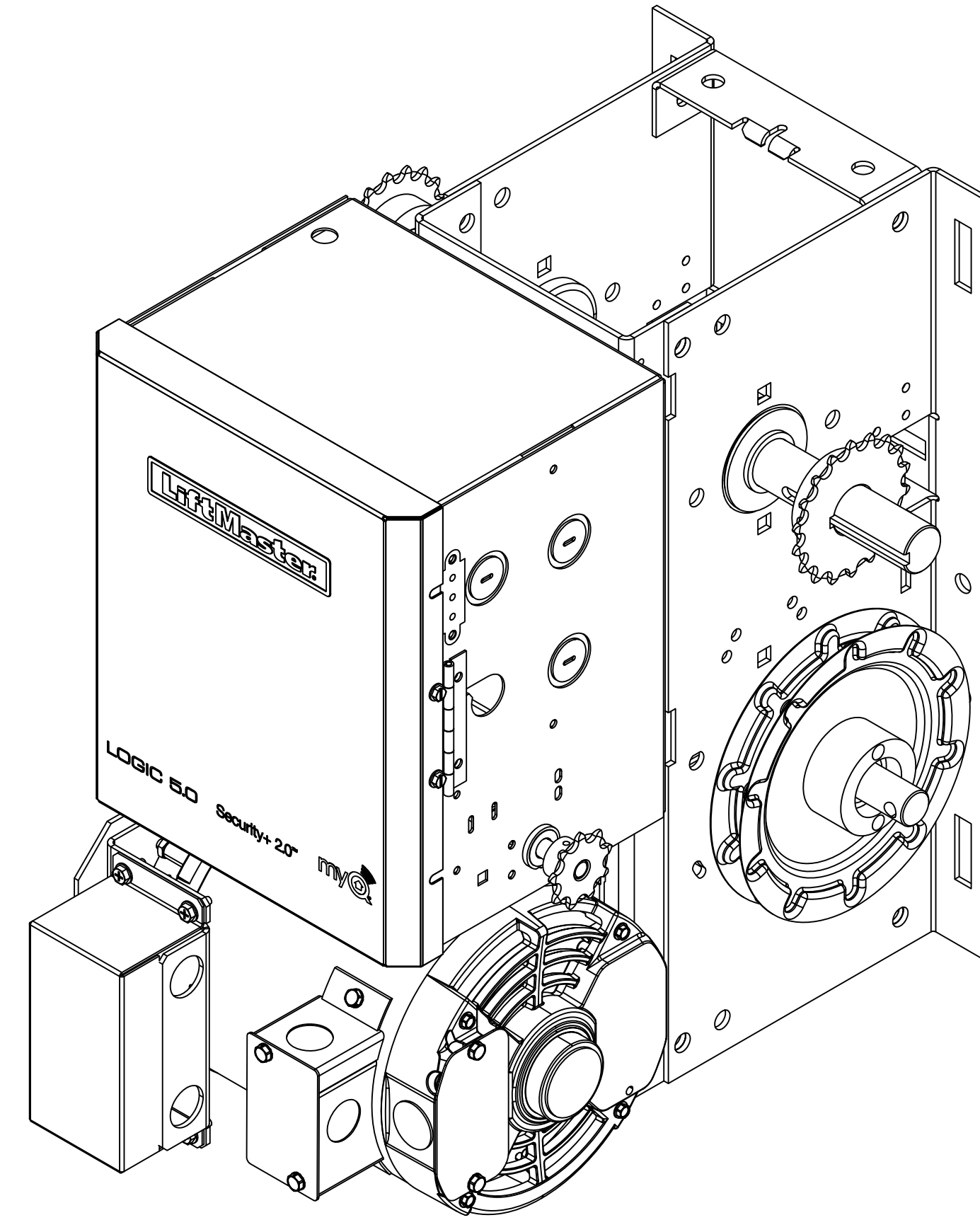
300 WINDSOR DR.
 OAK BROOK, IL 60523
 PHONE: (630) 418-6516
 FAX: (630) 516-7059

DRW. BY: B. MOFFETT REVISION:
 DATE: 09/05/2018 SCALE: NTS
 TITLE: LIFTMASTER (H) OPERATOR UNIT
 CAD FILE: -

SHEET NO:
1/2



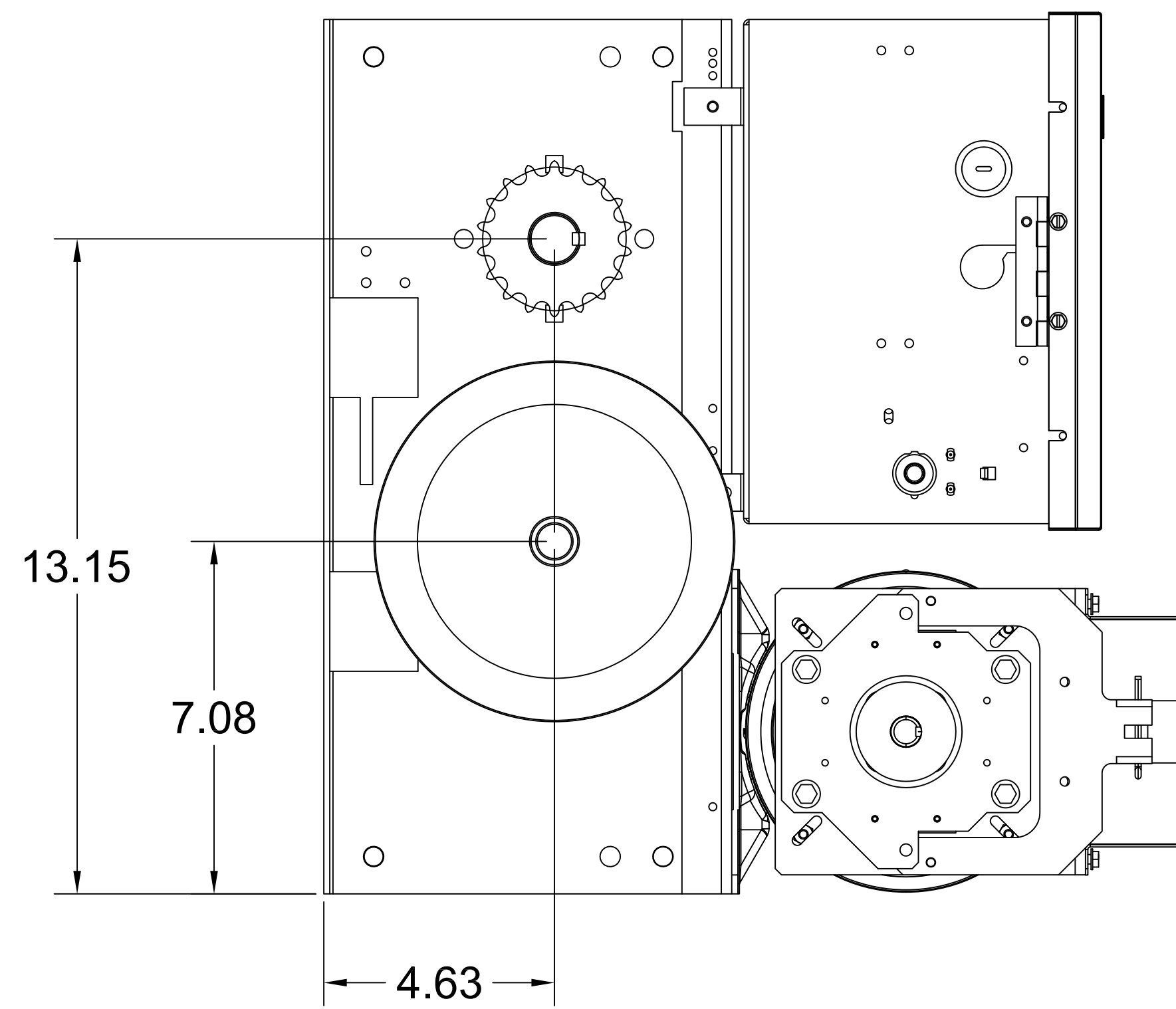
TOP



BACK

BRACKET
MOUNT HOLES
(ROLLING DOOR)
(4 PLCS.)

WALL
MOUNT
HOLES



LEFT

(H) LOGIC 5 OPERATOR

LiftMaster[®]

LIFTMASTER (CHAMBERLAIN GROUP, INC.)
ENGINEERED SERVICES

300 WINDSOR DR.
OAK BROOK, IL 60523
PHONE: (630) 418-6516
FAX: (630) 516-7059

DRW. BY: B. MOFFETT

REVISION:

DATE: 09/05/2018

SCALE: NTS

TITLE: LIFTMASTER (H) OPERATOR UNIT

CAD FILE: -

SHEET NO:

2/2