

MH MEDIUM-DUTY LOGIC JACKSHAFT OPERATOR

SECTION 08 71 13



KEY FEATURES

STANDARD APPLICATION	Recommended for small rolling steel doors/grilles and high or vertical-lift sectional overhead doors in medium duty-cycle commercial applications where a manual hoist is required
RATED DUTY CYCLE	Medium-duty: Up to 12 cycles/hour and up to 50 cycles/day (using continuous-rated motor)
OPERATOR SPEED	8-9 Inches per second
LIMIT SETTINGS	Mechanical
EMERGENCY DISCONNECT FOR MANUAL OPERATION	Floor-level emergency release sash chain
EMERGENCY DISCONNECT WITH AUTO-RECONNECT	Reconnects when tension is removed from emergency release sash chain
PROGRAMMING	Tactile buttons
CIRCUIT BOARD	Solid-state medium-duty logic circuit board
TIMER-TO-CLOSE	Programmable from 5-60 seconds in 5-second increments
CLUTCH	Standard adjustable friction clutch
MOTOR OPERATOR WALL CONTROL	3-Button Control Station
PUSH BUTTON STATION	3-Push button station (Open/Close/Stop)

SPECIFICATIONS

RADIO RECEIVER	Security+® 315 MHz radio receiver; accepts up to 23 Security+ remote controls and unlimited DIP switch remote controls
VOLTAGE CONNECTIONS	Single-phase: 115V
CONTROL CIRCUIT	24V NEC class 2
DRIVE REDUCTION	First -stage heavy-duty 4L V-belt; second and third stages #48 chain
BEARINGS/BUSHINGS	Heavy-duty oil-filled bushings
BRAKE	Heavy-duty solenoid-actuated brake
CONSTRUCTION	NEMA 1 type electrical box; heavy-duty 11-gauge steel frame with baked-on powder coat finish; all reduction sprockets drilled and pinned to shafts
WARRANTY	2 years

INSTALLATION FEATURES

UNIVERSAL MOUNTING	Yes
MAXIMUM DOOR HEIGHT	14 feet standard with additional capability*
MAXIMUM DOOR WIDTH	22 feet*
MAXIMUM ALLOWABLE SQUARE FOOTAGE	320 square feet

This commercial door operator must feature constant pressure to close or be equipped with an external monitored entrapment protection device. Use only LiftMaster monitored entrapment protection devices itemized on the accessory page of the operators installation manual to meet UL 325 requirements.

*Contact us at Specs@LiftMaster.com for additional capabilities.

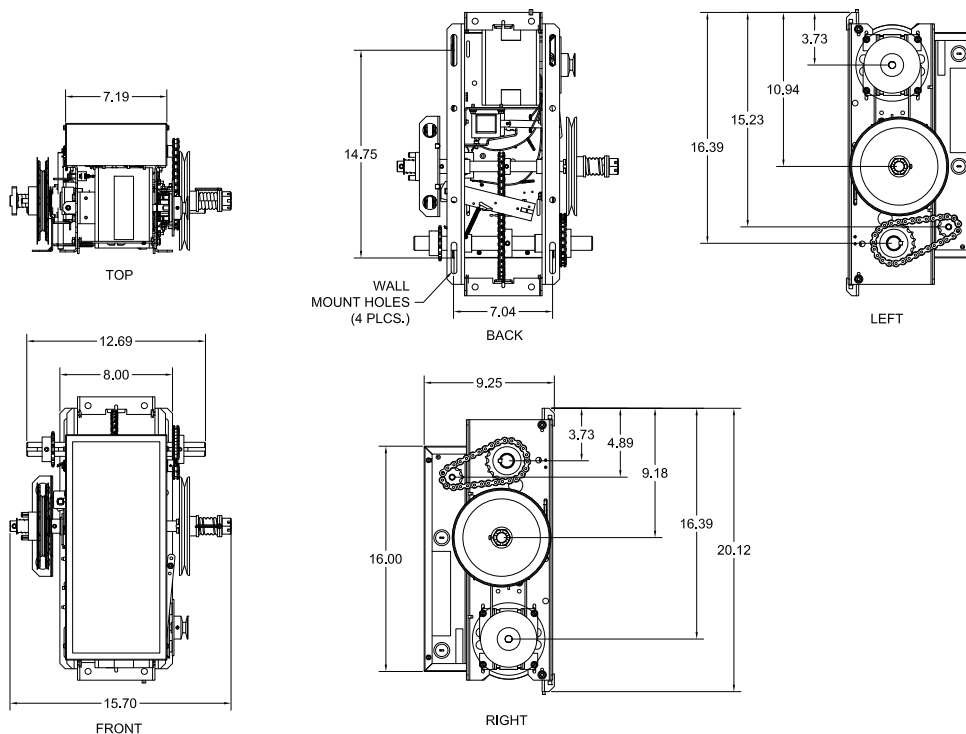
DATA SHEET
MEDIUM-DUTY LOGIC JACKSHAFT
OPERATOR

LiftMaster

MH MEDIUM-DUTY LOGIC JACKSHAFT OPERATOR

SECTION 08 71 13

DIMENSIONS



CAPACITY

MAXIMUM DOOR AREA (SQ. FT.)

	24 GA. STEEL	22 GA. STEEL	-	20 GA., 18 GA. STEEL	16 GA. STEEL	-
ROLLING	ALUMINUM GRILLES	ALUMINUM DOORS	-	STEEL GRILLES	-	-
SECTIONAL	FIBERGLASS	24 GA., 22 GA. STEEL ALUMINUM DOORS	20 GA. STEEL WOOD DOORS	-	16 GA. STEEL	-
	-	-	24 GA. STEEL INSULATED	-	20 GA. STEEL INSULATED	16 GA. STEEL INSULATED
SQ. FT.	320	275	250	200	160	120

On steel insulated doors, a 24-gauge back panel is assumed. Recommended max duty cycles: 12 cycles per hour; fewer than 50 cycles/day.