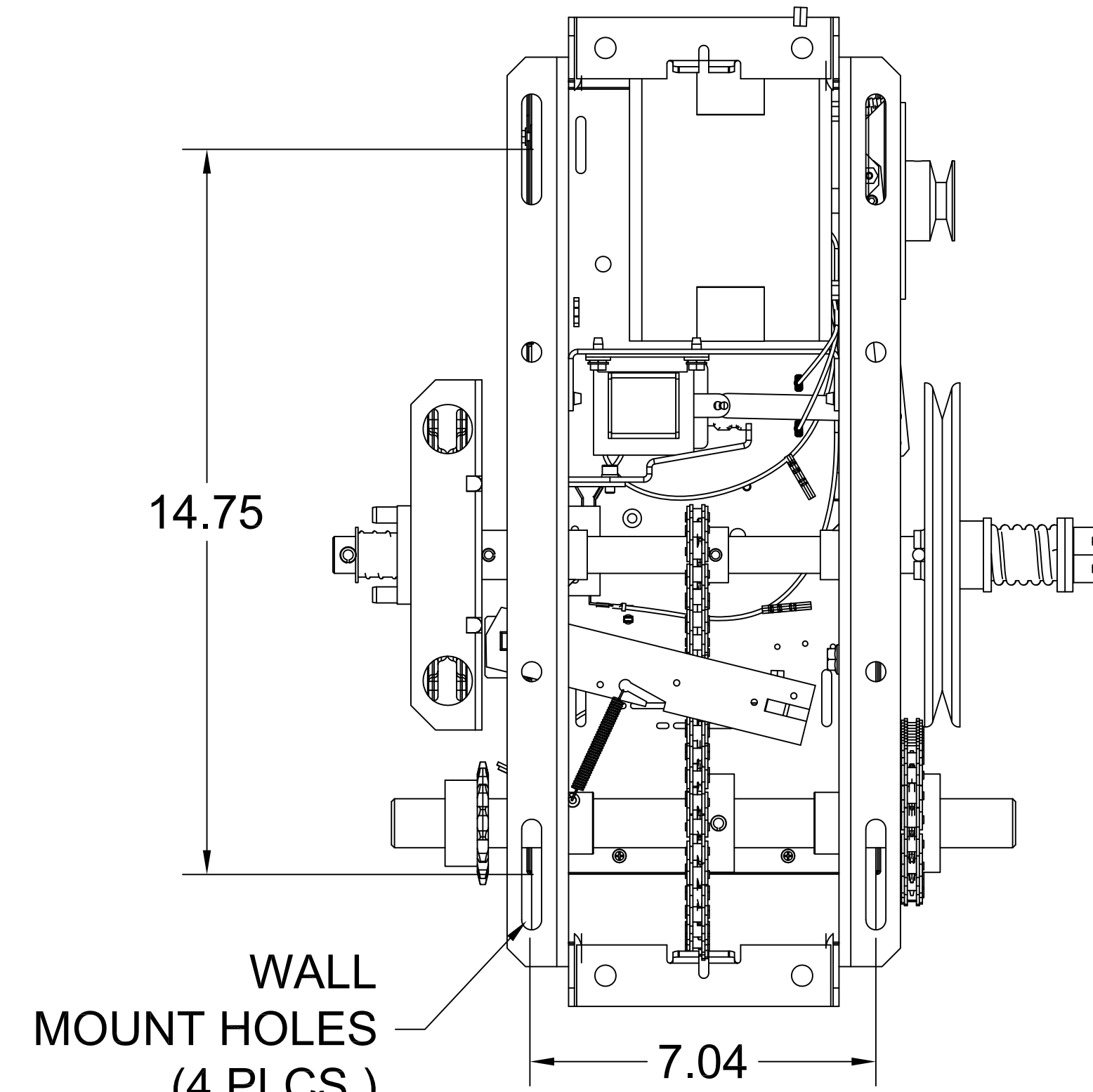
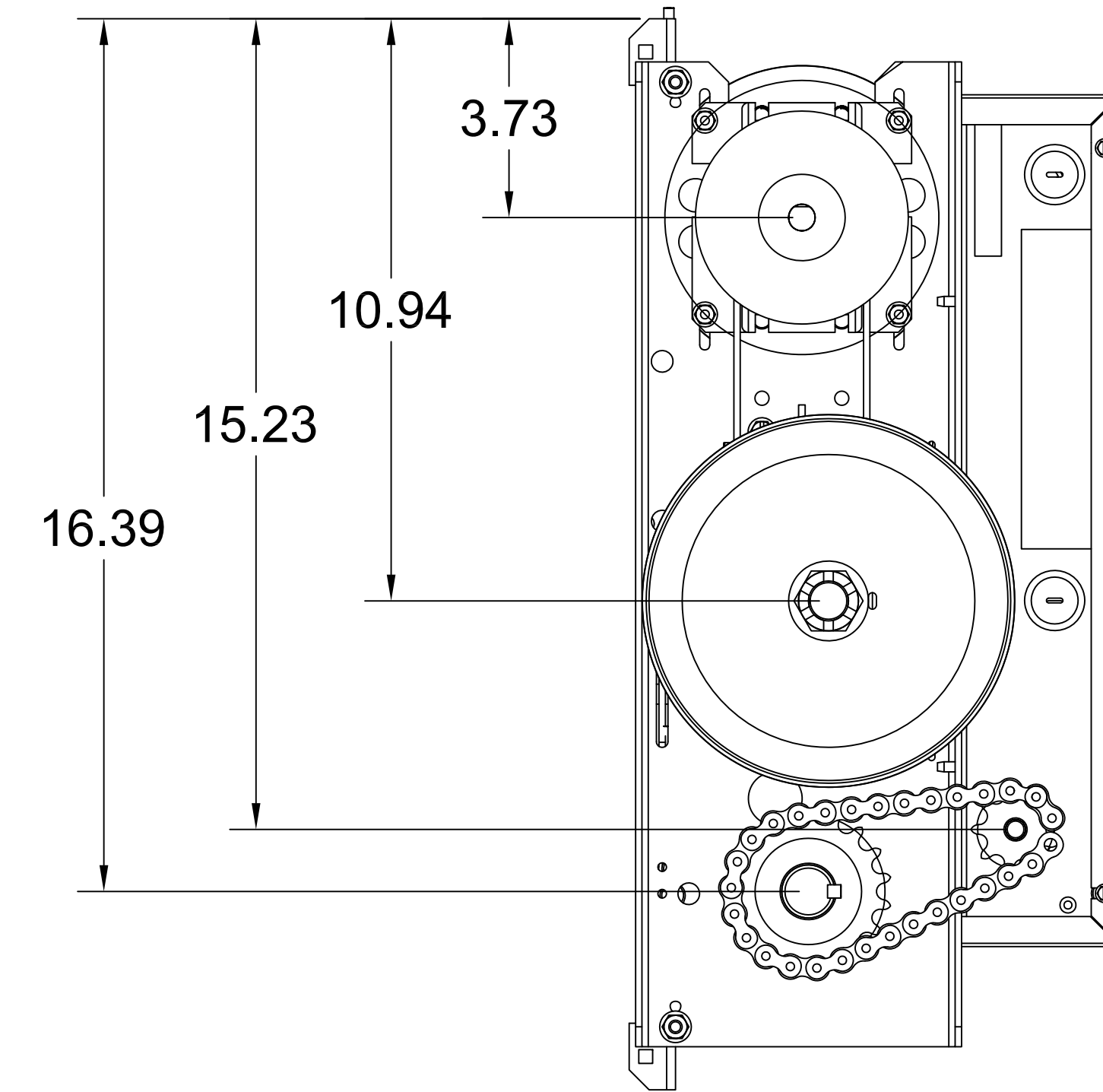


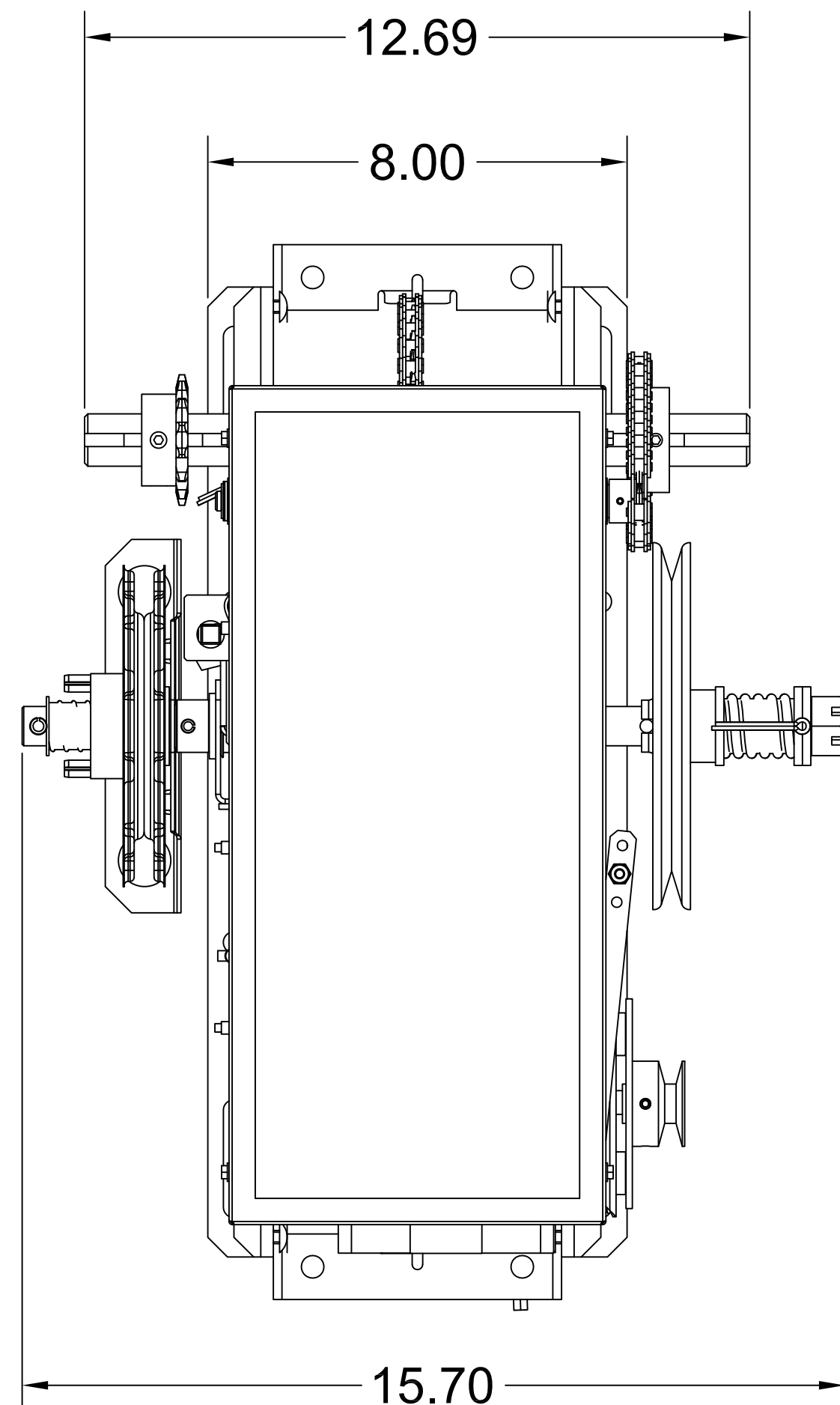
TOP



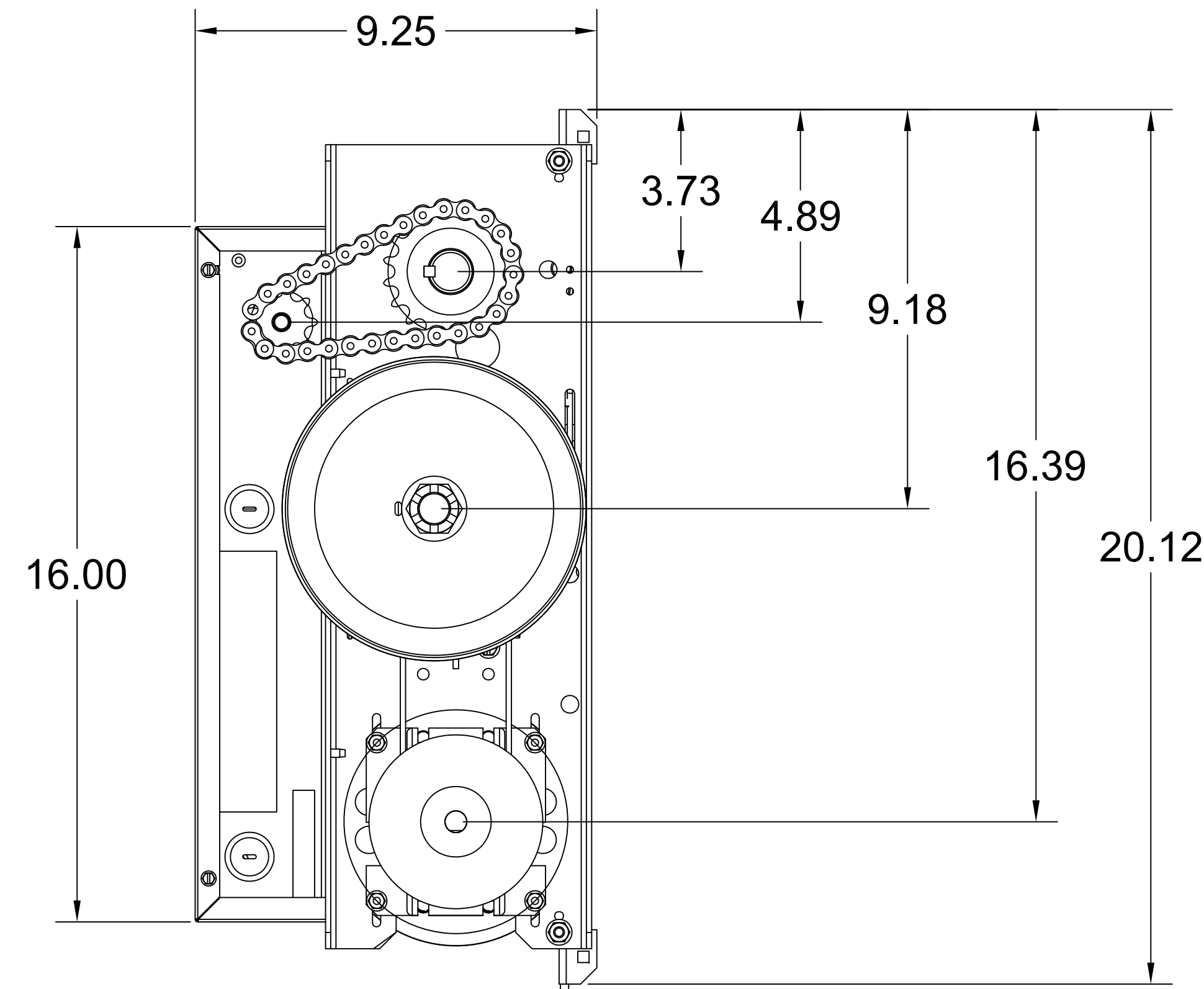
BACK



LEFT



FRONT



RIGHT

(MH) LOGIC 5 OPERATOR

		300 WINDSOR DR. OAK BROOK, IL 60523 PHONE: (630) 418-6516 FAX: (630) 516-7059
DRW. BY: B. MOFFETT	REVISION:	SHEET NO: 1/1
DATE: 10/11/2018	SCALE: NTS	
TITLE: LIFTMASTER (MH) OPERATOR UNIT		
CAD FILE: -		